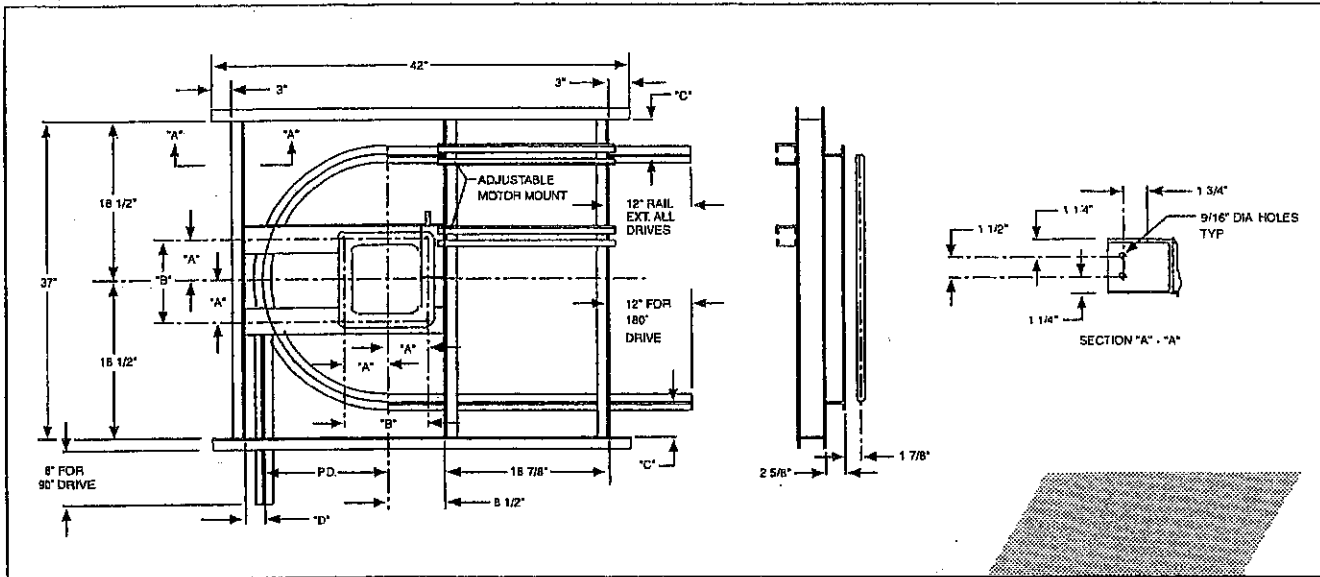


# X-228 SPROCKET DRIVE



TRACK SIZE	CHAIN SIZE	MAX. CHAIN PULL	REDUCER SIZE	SPROCKET P.D.	DIMENSIONS				COMPLETE DRIVE-LESS MOTOR	
					A	B	C	D	ASSEMBLY	WEIGHT
2"	#228	#600	#40	18 1/4"	6"	12"	9 1/16"	4"	2-40-18	#415
2"	#228	#600	#40	24 1/16"	6"	12"	6 7/32"	3 1/4"	2-40-24	#454

## DRIVE SELECTION CHART

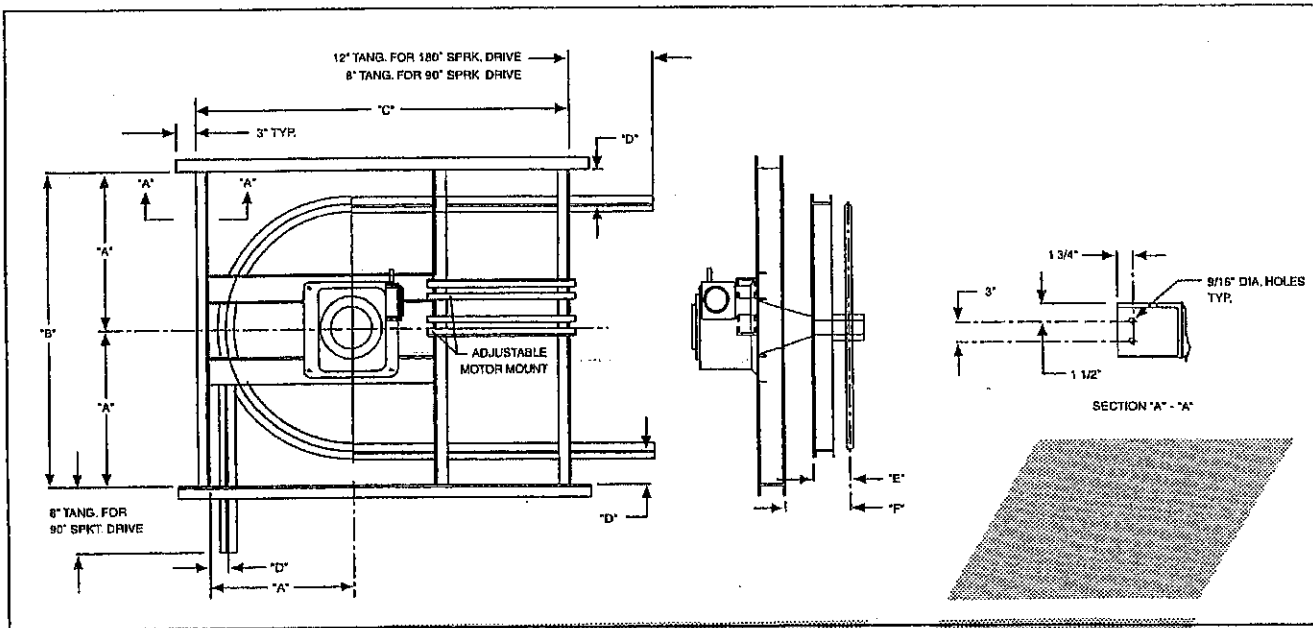
14 TOOTH - 18.1425 PITCH DIA. SPROCKET					19 TOOTH - 24.597 PITCH DIA. SPROCKET				
SPEED FPM	RATIO	40 DVX			SPEED FPM	RATIO	40 DVX		
		CHAIN PULL	HP & RPM	INPUT RPM			CHAIN PULL	HP & RPM	INPUT RPM
6	600:1	1000	1/2-1150	758	6	600:1	1359	1/2-1150	559
8		812	1/2-1750	1010	8		1019	1/2-1150	745
10		974	3/4-1750	1263	10		815	1/2-1150	931
13		749	3/4-1750	1642	13		876	1/2-1750	1211
15		753	3/4-1150	789	15		586	1/2-1750	1397
18	250:1	627	3/4-1150	948	18	250:1	567	1/2-1150	699
20		580	3/4-1750	1052	20		511	1/2-1150	776
25		640	1-1750	1316	25		613	3/4-1150	970
30		775	1 1/2-1750	1579	30		542	3/4-1750	1164
35		705	1 1/2-1750	921	35		465	3/4-1750	1359
40	125:1	633	1 1/2-1750	1053	40	125:1	407	3/4-1750	1553
45		750	2-1750	1184	45		502	1-1150	873
50		675	2-1750	1316	50		451	1-1150	971
55		614	2-1750	1447	55		438	1-1750	1067
60		563	2-1750	1579	60		588	1 1/2-1750	1164
65	75:1	575	2-1750	1026	65	75:1	543	1 1/2-1750	1261
70		534	2-1750	1105	70		505	1 1/2-1750	1358
75		498	2-1750	1184	75		485	1 1/2-1750	1455
80		701	3-1750	1263	80		477	1 1/2-1750	931
90		623	3-1750	1421	90		566	2-1750	1048
100		561	3-1750	1579	100		509	2-1750	1164



Rapid Industries, Inc.

DRAWINGS FOR CONCEPT ONLY; NOT FOR ENGINEERING USE

# 3", 4" & 6" SPROCKET DRIVES (90° and 180°)



TRACK SIZE	CHAIN SIZE	MAX. CH. PULL	REDUCER SIZE	SPROCKET P.D.	DIMENSION						COMPLETE DRIVE-LESS MOTOR	
					A	B	C	D	E	F	ASSEMBLY NO.	WEIGHT
3"	X-348	650	40	23 1/4"	18 1/4"	37"	46 1/2"	6 7/8"	5 1/2"	6"	3-4023-1 or 2	698
		1200	50	23 1/4"	18 1/2"	37"	46 1/2"	6 7/8"	5 1/2"	6"	3-5023-1 or 2	818
		1950	60	23 1/4"	20"	40"	56"	8 3/8"	5 1/4"	7 1/2"	3-6023-1 or 2	1196
		400	40	36 3/4"	18 1/2"	37"	46 1/2"	1/2"	5 1/2"	6"	3-4036-1 or 2	831
		750	50	36 3/4"	18 1/2"	37"	46 1/2"	1/2"	5 1/2"	6"	3-5036-1 or 2	951
		1200	60	36 3/4"	20"	40"	56"	1 1/4"	5 1/2"	7 1/2"	3-6036-1 or 2	1329
		1650	70	36 3/4"	20"	40"	56"	1 1/4"	5 1/2"	7 1/2"	3-7036-1 or 2	1550
4"	X-458	650	40	23 1/4"	18 1/2"	37"	46 1/2"	6 1/4"	7 3/16"/8"	E+1/2"	4-4023-1 or 2	786
		1200	50	23 1/4"	18 1/2"	37"	46 1/2"	6 1/4"	7 3/16"/8"	E+1/4"	4-5023-1 or 2	906
		1950	60	23 1/4"	20"	40"	56"	8 3/8"	7 3/16"/8"	E+2"	4-6023-1 or 2	1284
		2600	70	23 1/4"	20"	40"	56"	8 3/8"	7 3/16"/8"	E+2"	4-7023-1 or 2	1505
		400	40	36"	18 1/2"	37"	46 1/2"	1/2"	7 3/16"/8"	E+1/2"	4-4036-1 or 2	965
		750	50	36"	18 1/2"	37"	46 1/2"	1/2"	7 3/16"/8"	E+1/2"	4-5036-1 or 2	1085
		1200	60	36"	20"	40"	56"	2"	7 3/16"/8"	E+2"	4-6036-1 or 2	1463
1650	70	36"	20"	40"	56"	2"	7 3/16"/8"	E+2"	4-7036-1 or 2	1684		
6"	X-458	1200	60	36"	20"	40"	56"	2"	10"	10 1/2"	64-6036-1 or 2	1523
		1650	70	36"	20"	40"	56"	2"	10"	10 1/2"	64-7036-1 or 2	1744
6"	X-678	1150	60	38 1/2"	20"	40"	56"	3/4"	10"	10 1/2"	6-6038-1 or 2	1658
		1550	70	38 1/2"	20"	40"	56"	3/4"	10"	10 1/2"	6-7038-1 or 2	1879

REFER TO PAGES 4 AND 5 FOR CHAIN PULL RANGE, MOTOR HP, INPUT RPM, ETC.  
SEE PAGE 1 FOR REDUCER LUBRICATION CHART.



Rapid Industries, Inc.

# DRIVE SELECTION CHART

12 TOOTH, 23¼" PD, X-348 SPROCKET DRIVE

9 TOOTH, 23¼" PD, X-458 SPROCKET DRIVE

SPEED FPM	RATIO	40 DVX			SPEED FPM	RATIO	50 DVX		60 DVX		70 DVX		INPUT RPM
		CHAIN PULL LBS	MOTOR HP & RPM	INPUT RPM			CHAIN PULL	MOTOR HP & RPM	CHAIN PULL	MOTOR HP & RPM	CHAIN PULL	MOTOR HP & RPM	
6	600:1	680	½-1150	600	5	800:1	1230	½-1150	2000	¾-1150	2670	1-1150	672
8		670	½-1150	800	6		1225	¾-1150	2000	1-1150	2670	1½-1150	800
10		670	½-1750	1000	8		1220	¾-1750	2000	1-1750	2670	1½-1150	1072
12		670	¾-1750	1800	10		1215	¾-1750	2000	1½-1750	2670	1½-1150	1336
15		660	¾-1750	1500	12		1210	1-1750	2000	1½-1750	2670	2-1750	1800
18	250:1	630	¾-1150	750	15	300:1	1205	1-1150	2000	2-1150	2670	3-1150	750
20		630	¾-1150	834	18		1200	1-1750	2000	2-1750	2670	3-1750	900
24		620	1-1750	1000	20		1190	1½-1750	2000	2-1750	2670	3-1750	1000
25		620	1-1750	1042	24		1190	1½-1750	1980	3-1750	2670	3-1750	1200
30		610	1-1750	1250	25		1180	1½-1750	1950	3-1750	2670	3-1750	1251
35	610	1-1750	1458	30	1180	2-1750	1920	3-1750	2670	5-1750	1500		
40	610	1½-1750	1667	35	1170	2-1750	1890	3-1750	2670	5-1750	1750		
45	125:1	610	1½-1750	938	40	150:1	1120	2-1750	2000	5-1750	2670	5-1750	1000
50		600	1½-1750	1042	45		1120	3-1750	1850	5-1750	2670	5-1750	1125
55		600	1½-1750	1145	50		1060	3-1750	1745	5-1750	2650	7½-1750	1251
60		590	2-1750	1250	55		1005	3-1750	1630	5-1750	2570	7½-1750	1375
70		580	2-1750	1416	60		955	3-1750	1510	5-1750	2490	7½-1750	1500
75	570	2-1750	1562	65	890	3-1750	1400	5-1750	2400	7½-1750	1625		
80	75:1	560	2-1750	1000	70	75:1	1090	3-1750	1600	5-1750	2600	7½-1750	875
90		520	2-1750	1125	80		1080	3-1750	1480	5-1750	2410	10-1750	1000
100		490	2-1750	1250	90		1070	3-1750	1360	5-1750	2220	10-1750	1125
				100			1050	3-1750	1250	7½-1750	2000	10-1750	1250



Rapid Industries, Inc.

DRAWINGS FOR CONCEPT ONLY; NOT FOR ENGINEERING USE

# DRIVE SELECTION CHART

19 TOOTH, 36 $\frac{3}{4}$ " PD, X-348 SPROCKET DRIVE

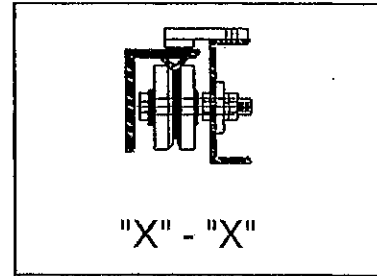
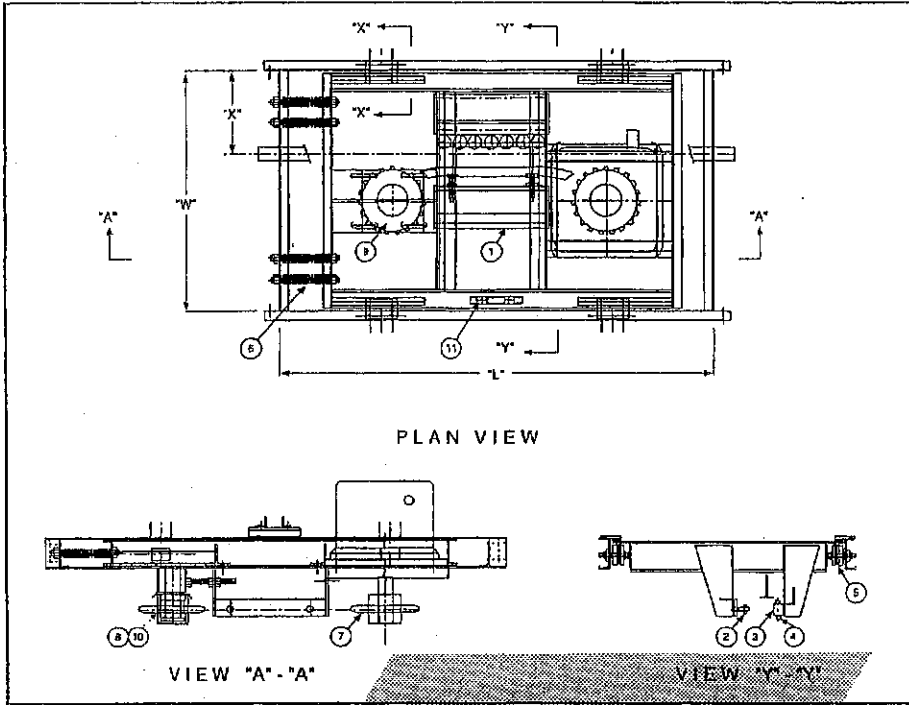
14 TOOTH, 36" PD, X-458 SPROCKET DRIVE

10 TOOTH, 38 $\frac{1}{2}$ " PD, X-678 SPROCKET DRIVE

SPEED FPM	RATIO	40 DVX			SPEED FPM	RATIO	50 DVX		60 DVX		70 DVX		INPUT RPM
		CHAIN PULL LBS	MOTOR HP & RPM	INPUT RPM			CHAIN PULL	MOTOR HP & RPM	CHAIN PULL	MOTOR HP & RPM	CHAIN PULL	MOTOR HP & RPM	
9	600:1	434	1/2-1150	600	7	800:1	787	1/2-1150	1270	3/4-1150	1705	1-1150	616
10		432	1/2-1150	667	8		786	1/2-1150	1270	3/4-1150	1705	1-1150	704
12		431	1/2-1150	800	9		785	1/2-1150	1270	1-1150	1705	1 1/2-1750	800
15		431	1/2-1750	1000	10		783	3/4-1750	1270	1-1750	1705	1 1/2-1750	976
18		431	3/4-1750	1200	12		780	3/4-1750	1270	1-1750	1705	1 1/2-1750	1070
20		430	3/4-1750	1338	15		777	3/4-1750	1268	1 1/2-1750	1705	1 1/2-1750	1336
24		426	3/4-1750	1600	18		775	1-1750	1266	1 1/2-1750	1705	2-1750	1600
25	250:1	406	3/4-1150	695	20	300:1	777	1-1150	1266	1 1/2-1150	1705	2-1150	666
30		404	3/4-1150	835	24		774	1 1/2-1150	1266	1 1/2-1150	1705	2-1150	800
35		402	1-1750	970	25		772	1 1/2-1150	1266	2-1150	1705	3-1150	831
40		400	1-1750	1112	30		768	1 1/2-1750	1266	2-1750	1705	3-1750	999
45		397	1-1750	1250	35		763	1 1/2-1750	1260	3-1750	1705	3-1750	1164
50		395	1 1/2-1750	1390	40		758	1 1/2-1750	1242	3-1750	1705	3-1750	1333
55		392	1 1/2-1750	1527	45		753	2-1750	1224	3-1750	1705	5-1750	1500
60		390	1 1/2-1750	1667	50		748	2-1750	1205	3-1750	1705	5-1750	1665
70		390	1 1/2-1750	959	55		783	2-1750	1270	3-1750	1705	5-1750	917
80		385	2-1750	1110	60		758	3-1750	1195	3-1750	1705	5-1750	1000
90	125:1	380	2-1750	1250	70	150:1	702	3-1750	1120	5-1750	1705	7 1/2-1750	1150
100		360	2-1750	1388	80		656	3-1750	1045	5-1750	1640	7 1/2-1750	1332
					90		608	3-1750	970	5-1750	1570	7 1/2-1750	1500
					100		560	3-1750	890	5-1750	1504	7 1/2-1750	1728



# CAT CHAIN DRIVES



DRIVE SIZE	FRAME DIMENSIONS		
	L	W	X
#00	5'8"	2'9"	0'11½"
#0	6'9"	3'6"	1'2"

NOTE: RIGHT-HAND ASSEMBLY SHOWN WITH REVERSING SPRINGS, SINGLE REDUCTION REDUCER.

\* FOR REVERSIBLE DRIVES, DOUBLE QUANTITY OF SPRINGS.

MARK	PART DESCRIPTION		PART OR ASSEMBLY NUMBER	00	00	0	0	0	0	0	0	
				12RD-3 QTY.	1200-4 QTY.	1800-3 QTY.	2200-4 QTY.	3000-4 QTY.	3000-4 QTY.	3950-4 QTY.	3950-6 QTY.	
1	CAT. DRIVE CHAIN		7588-1	1								
			8388-1	1								
			8388-2			1						
			7588-2				1	1	1			
			7588-3								1	
2	CAT CHAIN BACK-UP BAR ASSEMBLY		6288-1								1	
			1057	1	1							
3	PRESSURE ROLLS		1056			1	1	1	1	1	1	
			3051	6		7						
4	ROLL MTG. BOLT WITH ZERK		4051		6		7	7	7	7	7	
			3007-8	6		7						
5	VEE GROOVE WHEEL WITH BEARING		4003-8		6		7	7	7	7	7	
			V-4	4	4							
6	*SPRING		V-5			4	4	4	4	4	4	
			9-2432-21	2	2	4						
7	DRIVE SPROCKET		9-3240-21				4	4	4	4	4	
			#40 RED.	1059-3	1	1						
			#50 RED.	1053-1			1	1				
			#60 RED.	1053-2					1	1		
8	TAKE-UP SPROCKET		#70 RED.	1053-3						1	1	
			1060-2	1	1							
9	TAKE-UP SHAFT		1054			1	1	1	1	1	1	
			1061	1	1							
10	TAKE-UP SPKT. BRG.		1055			1	1	1	1	1	1	
			LM29749	2	2							
			495A			2	2	2	2	2	2	
11	LIMIT SWITCH (CUTLER HAMMER)		E50ARI	1	1	1	1	1	1	1	1	
12	LIMIT SWITCH LEVER		E50KL226	1	1	1	1	1	1	1	1	



Rapid Industries, Inc.

DRAWINGS FOR CONCEPT ONLY; NOT FOR ENGINEERING USE

# DRIVE SELECTION CHART

## FOR MORSE REDUCERS

DRIVE SIZE	MAX CHAIN PULL	RAIL SIZE	CHAIN SIZE	REDUCER SIZE	COMPLETE DRIVE-LESS MOTOR	
					ASSEMBLY NO.	WEIGHT
#00	1200	3"	348	40	00-1200-3	997
#00	1200	4"	458	40	00-1200-4	1012
#0	1800	3"	348	50	0-1800-3	1377
#0	2200	4"	458	50	0-2200-4	1397
#0	3000	4"	458	60	0-3000-4	1577
#0	3000	6"	458	60	0-3000-64	1640
#0	3000	6"	678	60	0-3000-66	1660
#0	3950	4"	458	70	1-3950-4	1954
#0	3950	6"	458	70	1-3950-64	2015
#0	3950	6"	678	70	1-3950-64	2040

MAX CHAIN SPEED FPM	STOCK REDUCER RATIO	DRIVE 00-1200-3 00-1200-4 1200 LB MAX PULL 40 DVX	REDUCER INPUT RPM	MAX CHAIN SPEED FPM	STOCK REDUCER RATIO	DRIVE NO.	DRIVE NO.	DRIVE NO.	DRIVE NO.	REDUCER INPUT RPM		
						0-1800-3 1800 LB MAX PULL 50 DVX	0-2200-4 2200 LB MAX PULL 50 DVX	0-3000-4 3000 LB MAX PULL 50 DVX	0-3950-4 3950 LB MAX PULL 50 DVX			
2	600:1	1/2-1160	600	2	800:1	1/2-1160	1/2-1160	1/2-1160	1/2-1160	504		
3		1/2-1160	900	3		1/2-1160	1/2-1160	3/4-1160	1-1160	760		
4		1/2-1750	1200	4		1/2-1750	1-1750	1-1750	1-1750	1080		
5		1/2-1750	1500	5		1-1750	1-1750	1-1750	1 1/2-1750	1250		
6	250:1	1/2-1160	750	6	300:1	1-1750	1-1750	1 1/4-1750	1 1/2-1750	1520		
7		1/2-1160	875	7		3/4-1160	1-1160	1 1/2-1160	2-1160	663		
8		1/2-1160	1000	8		1-1160	1-1160	1 1/2-1160	1 1/2-1750	756		
9		3/4-1750	1125	9		1-1160	1-1160	1 1/2-1160	1 1/2-1750	852		
10		3/4-1750	1250	10		1-1160	1-1160	2-1160	3-1160	948		
12		1-1750	1500	12		1 1/2-1750	1 1/2-1750	2-1750	3-1750	1137		
15		1-1750	937	15		1 1/2-1750	1 1/2-1750	2-1750 2700#PULL	3-1750	1422		
18		1 1/2-1750	1125	18		2-1750	2-1750	3-1750	3-1750 3500#PULL	1704		
20		125:1	1 1/2-1750	1250		20	150:1	2-1750	2-1750	3-1750	3-1750 3400#PULL	948
24			1 1/2-1750	1500		24		2-1750	2-1750 1840#PULL	3-1750 2800#PULL	5-1750	1138
25	1 1/2-1750		1563	25	2-1750	2-1750 1800#PULL		3-1750 2700#PULL	5-1750	1183		
30	75:1	2-1750	1125	30	75:1	2-1750	2-1750 1400#PULL	3-1750 2200#PULL	5-1750	1422		
35		2-1750	1312	35		2-1750	2-1750 1500#PULL	3-1750 1900#PULL	5-1750 3300#PULL	1657		
40		2-1750	1500	40		3-1750	3-1750 1800#PULL	5-1750 2900#PULL	7 1/2-1750 3800#PULL	948		
45		2-1750	1685	45		3-1750	3-1750 1600#PULL	5-1750 2700#PULL	7 1/2-1750 3400#PULL	1066		
50		2-1750	1200	50		3-1750	3-1750 1400#PULL	5-1750 2400#PULL	7 1/2-1750 3000#PULL	1193		
55		2-1750 960#PULL	1375	55		3-1750	3-1750 1300#PULL	5-1750 2200#PULL	7 1/2-1750 2700#PULL	1303		
60		2-1750 880#PULL	1500	60		3-1750	3-1750 1200#PULL	5-1750 2000#PULL	10-1750 3400#PULL	1422		
65		2-1750 812#PULL	1625	65		3-1750	3-1750 1100#PULL	5-1750 1800#PULL	10-1750 3100#PULL	1530		
70	2-1750 754#PULL	1750	70	3-1750	3-1750 1000#PULL	5-1750 1700#PULL	10-1750 2800#PULL	1657				

